

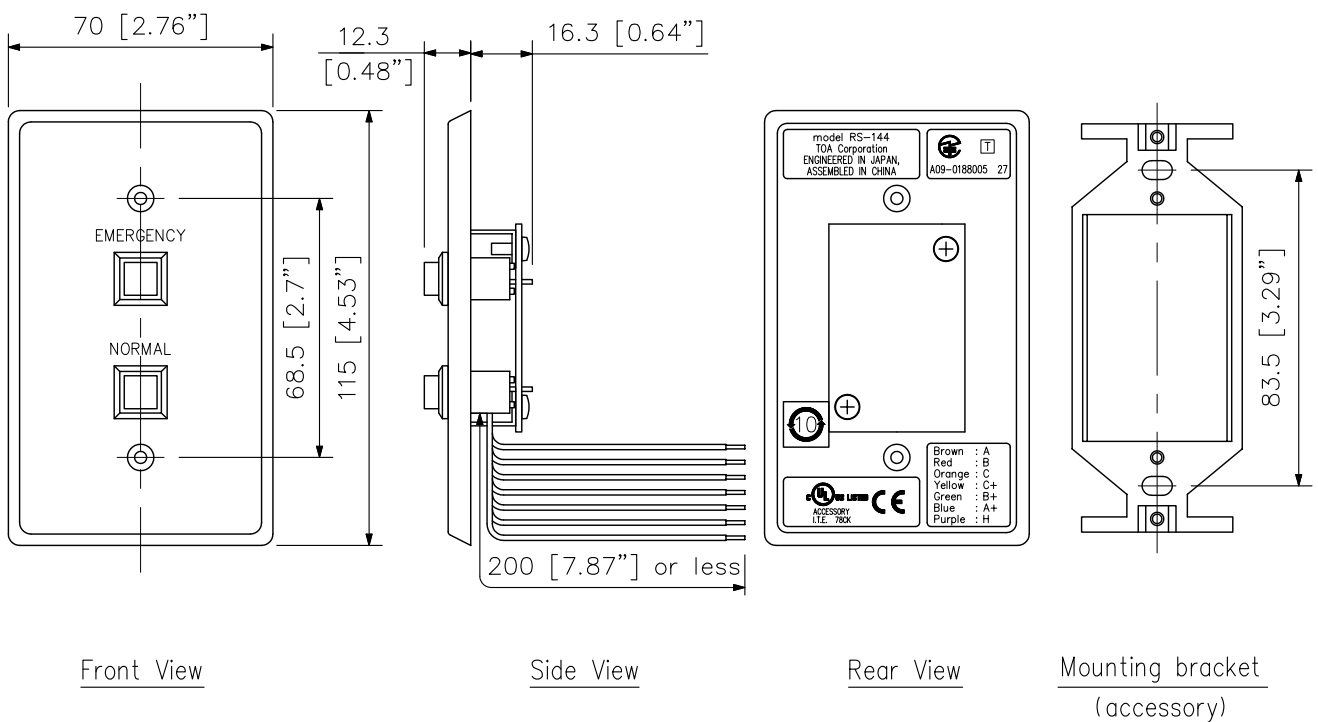
DESCRIPTION

The RS-144 is a switch panel designed for use with the N-8000RS or N-8010RS 2-Core Shielded Substation Interface Unit. It is equipped with a Emergency button and Normal button, and can be installed in a 1-gang electrical box.
 By connecting a high impedance speaker to it, hands-free conversation with the master station can be made through its speaker.
 Also, it can be used in connection with the RS-141 Ip Intercom Option Handset.

SPECIFICATIONS

Call Button	Momentary (EMERGENCY, NORMAL)
Wiring	Two-core shielded cable
Transmission Range	0.5 km (546 yd)/ ϕ 0.5 mm (AWG24) 0.8 km (874 yd)/ ϕ 0.65 mm (AWG22) 1.3 km (1421 yd)/ ϕ 0.9 mm (AWG19)
Operating Temperature	0 °C to +40 °C (32 °F to 104 °F)
Finish	Plate: Stainless steel, hairline Call Button (emergency): resin, red Call Button (normal) : resin, white
Dimensions	70 (W) X 115 (H) X 28.6 (D) mm (2.76" X 4.53" X 1.13")
Weight	80 g (0.18 lb)
Accessory	Mounting bracket1, bracket mounting screw (No.6-32UNC X 18)2, Box mounting screw (M4 X 30)2, Box mounting screw (No.6-32UNC X 30)2
Applicable Box	Flush-mount box: YC-801 (option) Wall-mount box : YC-802 (option)

APPEARANCE



UNIT:mm SCALE:1/2